

APPLICATION:

PRODUCT NAME:
**SINGLE BASE BACKSPLASH MOUNT
 WITH 3/8" NPT RIGID OUTLET**

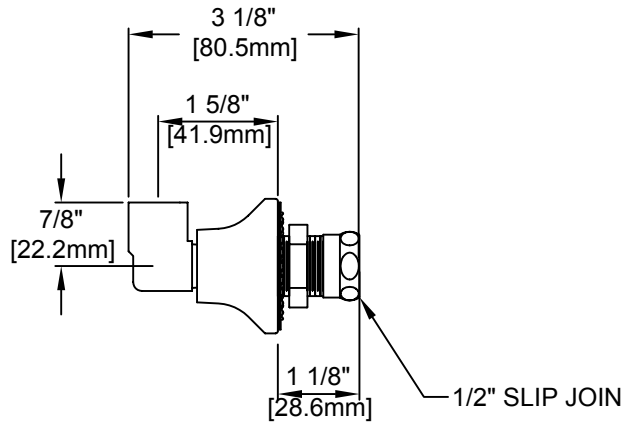
JOB NAME:

_____ SPECIAL CONFIGURATION
 (CHECK BASE MODEL AND OPTIONS)

QUANTITY:

ITEM NO.:

MODEL:
 3900-0002



OPTIONS OR MODIFICATIONS:
 OTHER _____

- FEATURES:
- * BACKSPLASH MOUNT
 - * 3/8" NPT FEMALE OUTLET
 - * 1/2" NPT INLET
 - * PLATED CHROME BODY
 - * 1/2" SLIP JOINT KIT INCLUDED

SYSTEM LIMITS

- * TEMP: 40°F MIN. TO 140° MAX.
- * PRESSURE: 200 PSI MAX. STATIC

SHIPPING WEIGHT
 * 0.75 LBS

ROUGH-IN:

